

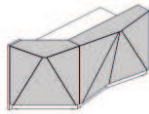
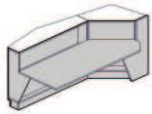


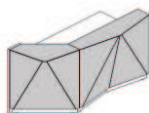
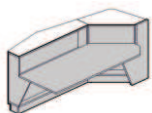


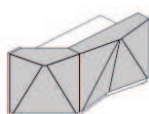
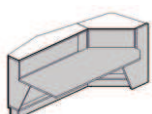




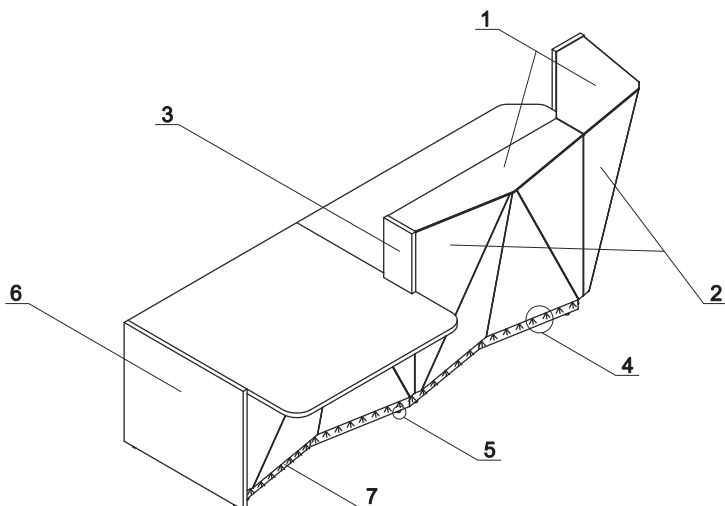


## TECHNICAL SPECIFICATION

## COLOURS

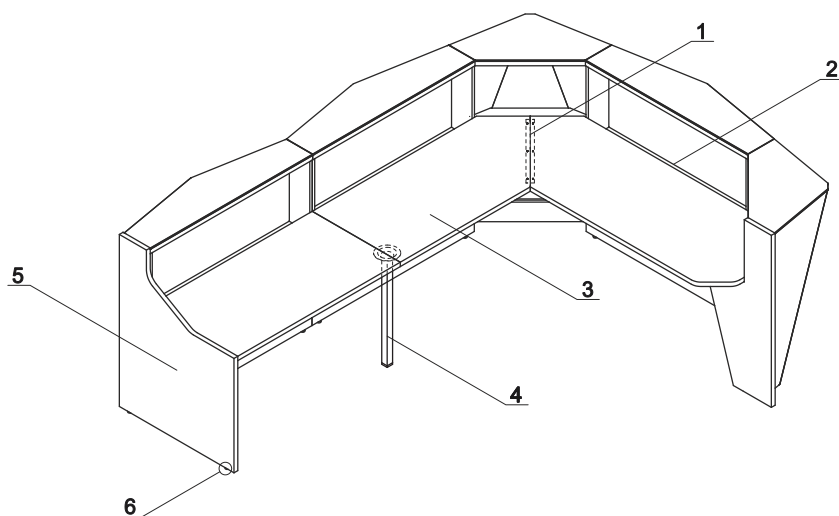
## FRONT, COUNTER TOP, BODY, SUPPORTING LEG WHERE WORKTOPS CONNECT NG41

			
67 WHITE PASTEL	WHITE, TEMPERED GLASS		
			
08 BLACK	BLACK, TEMPERED GLASS		
			
26 ALUMINUM SATINATO	SILVER, TEMPERED GLASS		
			
M009 ALUMINUM SEMI-MATTE	M015 WHITE SEMI-MATTE	M115 BLACK SEMI-MATTE	



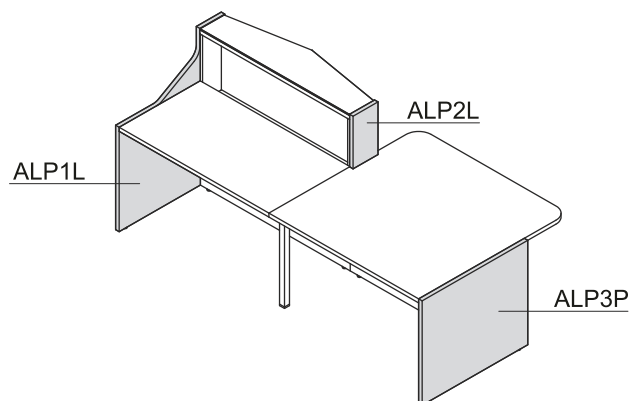
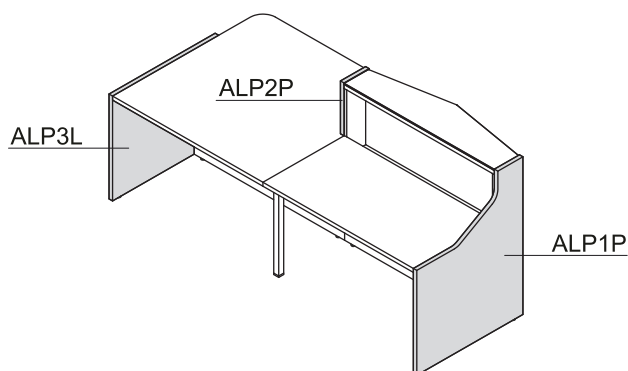
1. **Top** - MFC 28mm, tempered glass 8mm
2. **Front** - MFC 12mm + Glass LACOBEL 4mm
3. **Side panel linking low and high fronts** - MFC 28mm, PVC edge
4. **LED illumination** - at the full length of the reception desk, cold white color (verging on the blue shade)
5. **Leveling** - 5mm range
6. **Low side panel** - MFC 28mm, PVC edge
7. **Kick plate** - HPL - brushed aluminum

## TECHNICAL SPECIFICATION

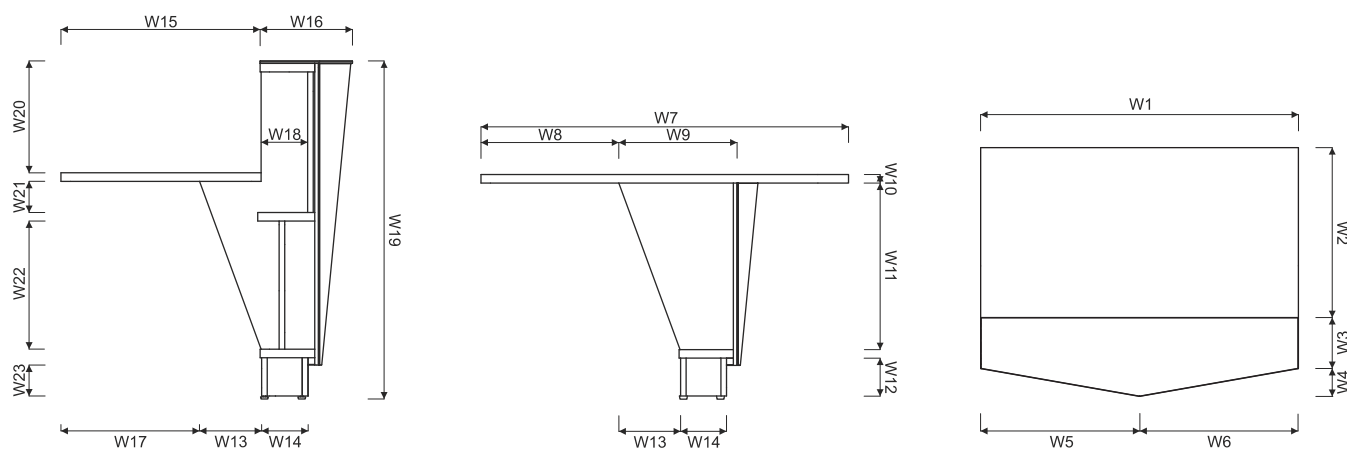


1. Fixing flat bar
2. Monitor shelf - MFC 28mm
3. Worktop - MFC 28mm, PVC edge
4. Supporting leg - NG41 - powder painted steel, required for connecting the tops
5. High side panel - MFC 28mm, PVC edge
6. Leveling - 5mm range

## ENDING ELEMENTS APPLICATION

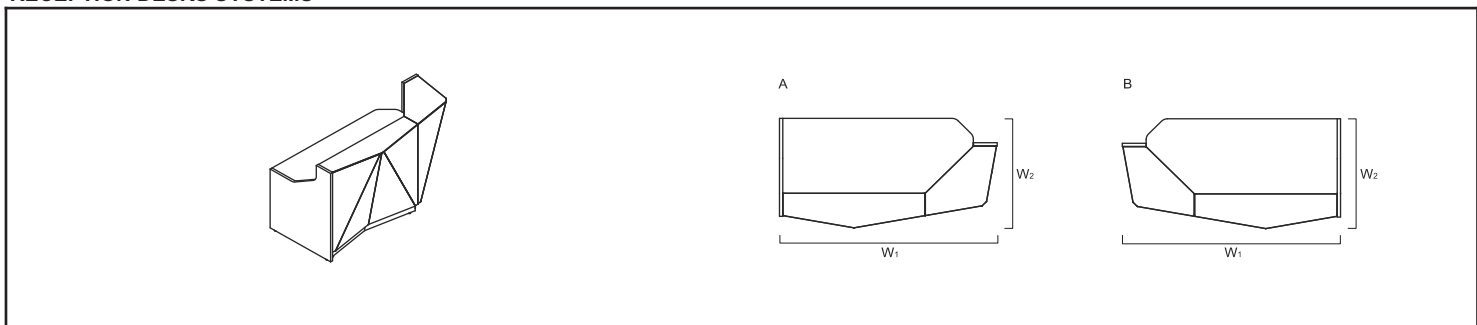


## DIMENSIONS

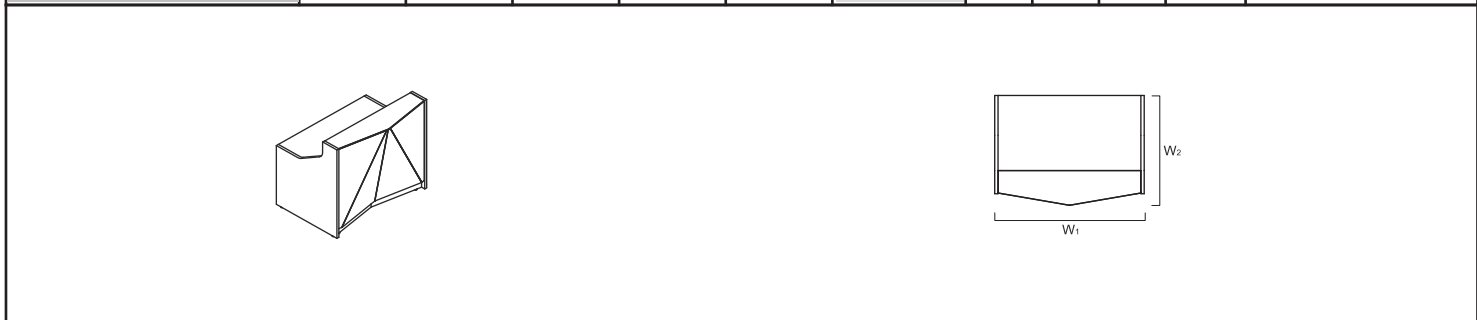


W1 - 1199mm | W2 - 650mm | W3 - 194mm | W4 - 106mm | W5 - 608mm | W6 - 608mm | W7 - 1200mm | W8 - 448mm | W9 - 353mm | W10 - 28mm |  
 W11 - 549mm | W12 - 125mm | W13 - 199mm | W14 - 150mm | W15 - 650mm | W16 - 300mm | W17 - 449mm | W18 - 151mm | W19 - 1106mm |  
 W20 - 366mm | W21 - 102mm | W22 - 424mm | W23 - 125mm

RECEPTION DESKS SYSTEMS



INDEX SYMBOL	DIMENSIONS [mm]										COMPONENTS
	W <sub>1</sub>	W <sub>2</sub>	D <sub>1</sub>	D <sub>2</sub>	H						
A <b>ALP04L</b>	1835	946	-	-	1100		103.0	1.047	7		ALP18L+ALP1P
B <b>ALP04P</b>	1835	946	-	-	1100		103.0	1.047	7		ALP1L+ALP18P



INDEX SYMBOL	DIMENSIONS [mm]										COMPONENTS
	W <sub>1</sub>	W <sub>2</sub>	D <sub>1</sub>	D <sub>2</sub>	H						
<b>ALP05</b>	1256	946	-	-	1100		76.5	0.782	5		ALP1L+ALP12+ALP1P



INDEX SYMBOL	DIMENSIONS [mm]										COMPONENTS
	W <sub>1</sub>	W <sub>2</sub>	D <sub>1</sub>	D <sub>2</sub>	H						
<b>ALP06</b>	2456	946	-	-	1100		129.0	1.498	9		ALP1L+2xALP12+ALP1P+NG41

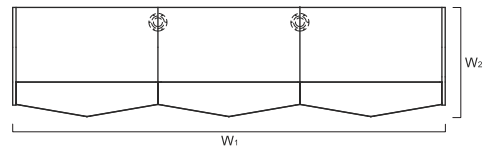
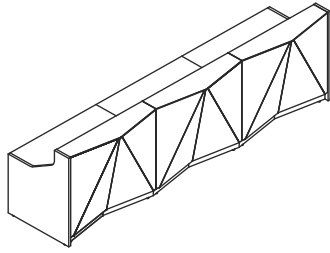
DESCRIPTION

- NET WEIGHT

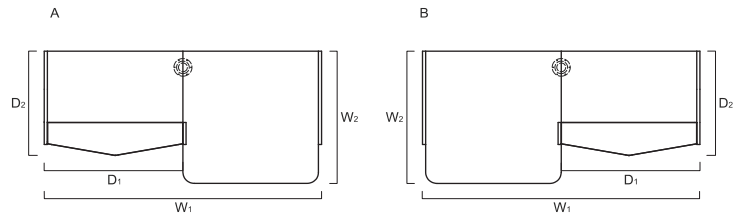
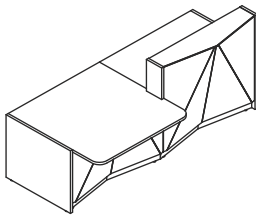
VOLUME

NUMBER OF PACKAGES

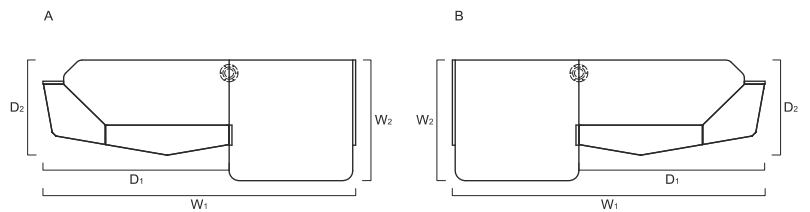
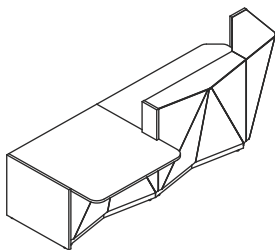
RECEPTION DESKS SYSTEMS



INDEX SYMBOL	DIMENSIONS [mm]						kg	m3	pcs	COMPONENTS
	W <sub>1</sub>	W <sub>2</sub>	D <sub>1</sub>	D <sub>2</sub>	H					
ALP07	3656	946	-	-	1100		181.5	2.214	13	ALP1L+3xALP12+ALP1P+2xNG41



INDEX SYMBOL	DIMENSIONS [mm]						kg	m3	pcs	COMPONENTS
	W <sub>1</sub>	W <sub>2</sub>	D <sub>1</sub>	D <sub>2</sub>	H					
A ALP21L	2456	1200	1228	950	1100		135.0	1.264	9	ALP3L+ALP11+ALP2P+ALP12+ALP1P+NG41
B ALP21P	2456	1200	1228	950	1100		135.0	1.264	9	ALP1L+ALP12+ALP2L+ALP11+ALP3P+NG41



INDEX SYMBOL	DIMENSIONS [mm]						kg	m3	pcs	COMPONENTS
	W <sub>1</sub>	W <sub>2</sub>	D <sub>1</sub>	D <sub>2</sub>	H					
A ALP22L	3034	1200	1806	950	1100		163.0	1.533	12	ALP3L+ALP11+ALP2P+ALP18P+NG41
B ALP22P	3034	1200	1806	950	1100		163.0	1.533	12	ALP18L+ALP2L+ALP11+ALP3P+NG41

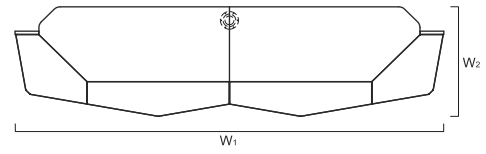
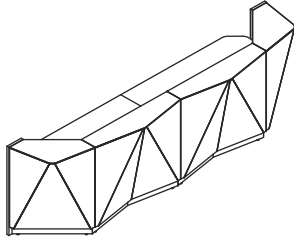
DESCRIPTION

- NET WEIGHT

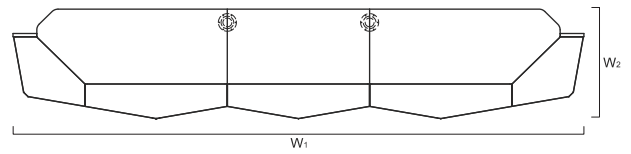
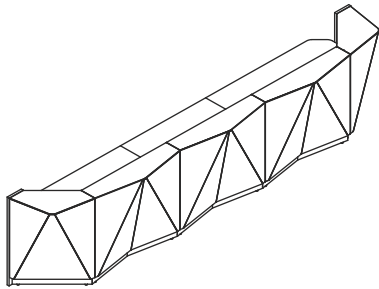
VOLUME

NUMBER OF PACKAGES

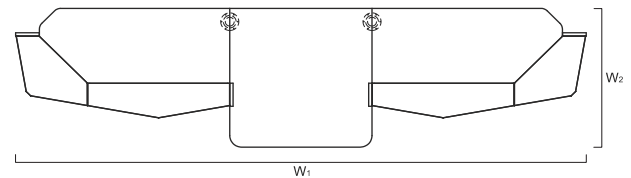
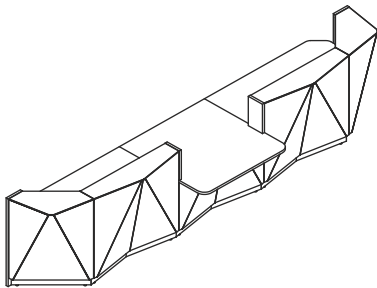
RECEPTION DESKS SYSTEMS



INDEX SYMBOL	DIMENSIONS [mm]										COMPONENTS
	W <sub>1</sub>	W <sub>2</sub>	D <sub>1</sub>	D <sub>2</sub>	H						
<b>ALP15</b>	3613	946	-	-	1100		182.0	2.029	13		ALP18L+ALP18P+NG41



INDEX SYMBOL	DIMENSIONS [mm]										COMPONENTS
	W <sub>1</sub>	W <sub>2</sub>	D <sub>1</sub>	D <sub>2</sub>	H						
<b>ALP16</b>	4813	946	-	-	1100		234.5	2.745	17		ALP18L+ALP12+ALP18P+2xNG41



INDEX SYMBOL	DIMENSIONS [mm]										COMPONENTS
	W <sub>1</sub>	W <sub>2</sub>	D <sub>1</sub>	D <sub>2</sub>	H						
<b>ALP25</b>	4813	946	-	-	1100		244.5	2.530	19		ALP18L+ALP2L+ALP11+ALP2P+ALP18P+2xNG41

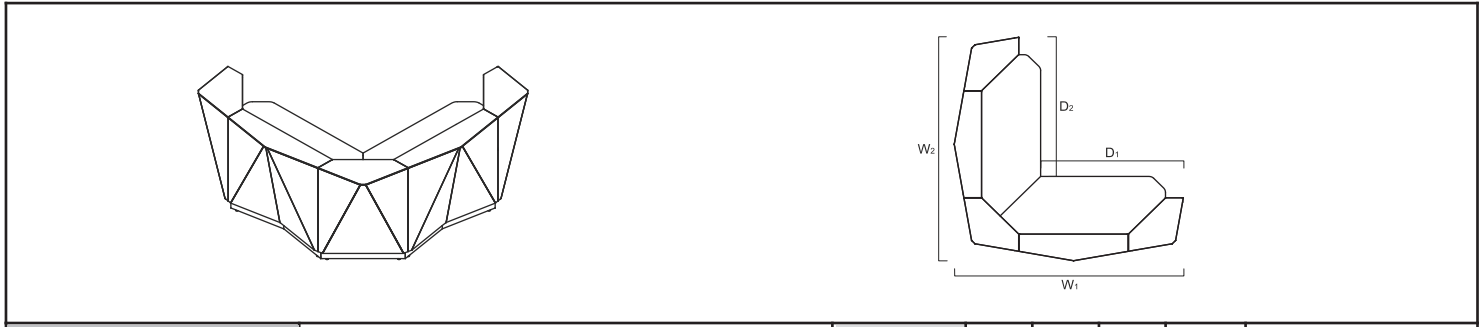
DESCRIPTION

- NET WEIGHT

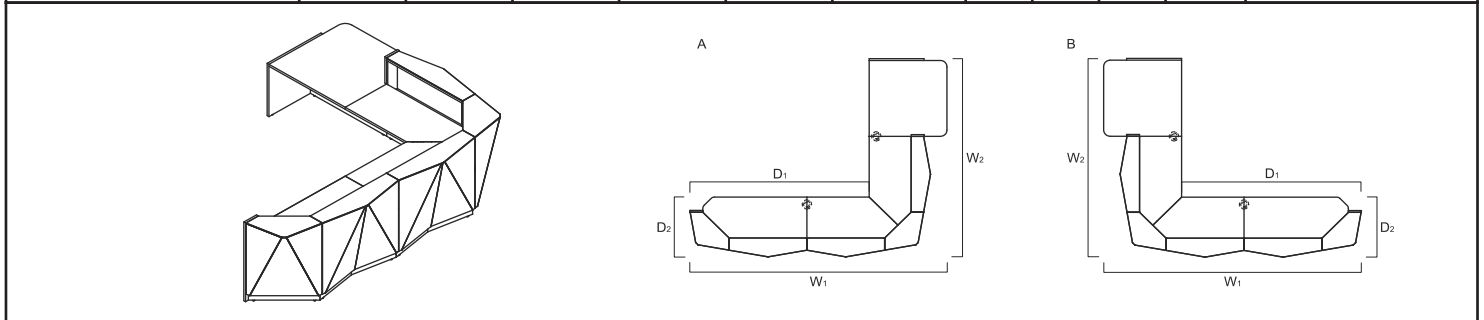
VOLUME

NUMBER OF PACKAGES

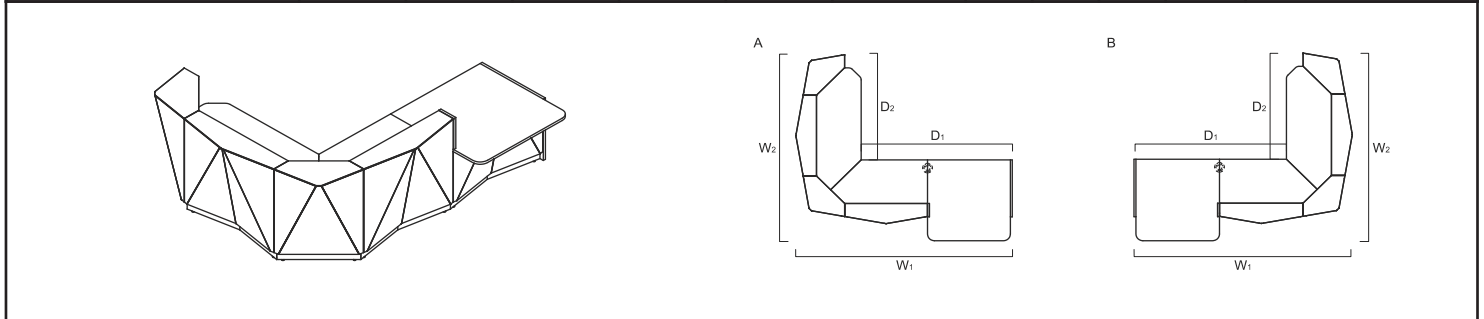
RECEPTION DESKS SYSTEMS



INDEX SYMBOL	DIMENSIONS [mm]										COMPONENTS
	W <sub>1</sub>	W <sub>2</sub>	D <sub>1</sub>	D <sub>2</sub>	H						
<b>ALP14</b>	2514	2514	1568	1568	1100		210.5	2.307	14		



INDEX SYMBOL	DIMENSIONS [mm]										COMPONENTS
	W <sub>1</sub>	W <sub>2</sub>	D <sub>1</sub>	D <sub>2</sub>	H						
<b>A ALP24L</b>	3967	3135	2768	950	1100		299.5	3.243	21		ALP3L+ALP11+ALP2P+ALP90+ ALP18P+2xNG41
<b>B ALP24P</b>	3967	3135	2768	950	1100		299.5	3.243	21		ALP18L+ALP90+ALP2L+ALP11+ ALP3P+2xNG41



INDEX SYMBOL	DIMENSIONS [mm]										COMPONENTS
	W <sub>1</sub>	W <sub>2</sub>	D <sub>1</sub>	D <sub>2</sub>	H						
<b>A ALP23L</b>	3135	2767	2189	1568	1100		245.5	2.527	17		ALP3L+ALP11+ALP2P+ALP19P+ NG41
<b>B ALP23P</b>	3135	2767	2189	1568	1100		245.5	2.527	17		ALP19L+ALP2L+ALP11+ALP3P+ NG41

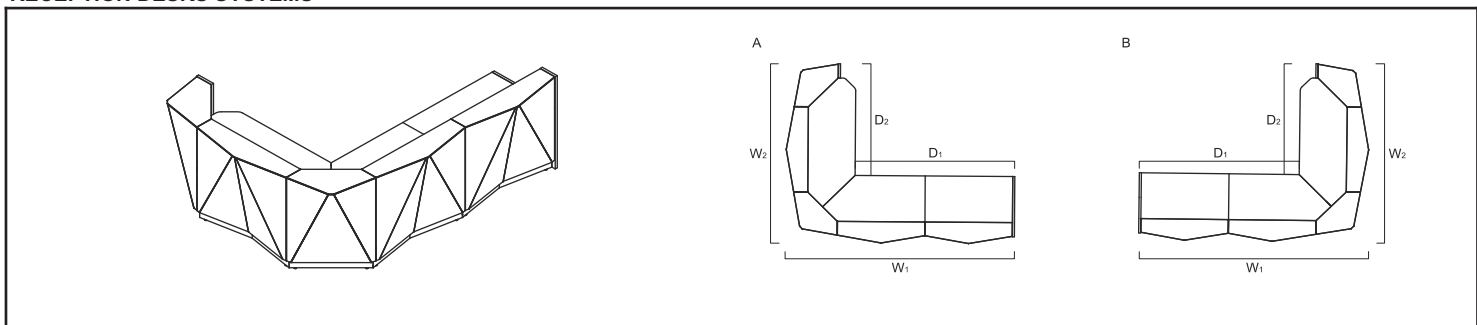
DESCRIPTION

- NET WEIGHT

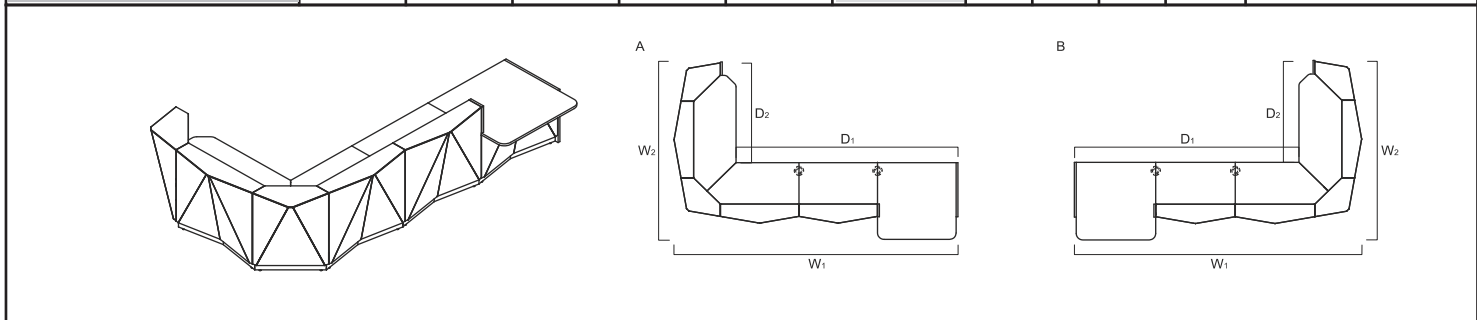
VOLUME

NUMBER OF PACKAGES

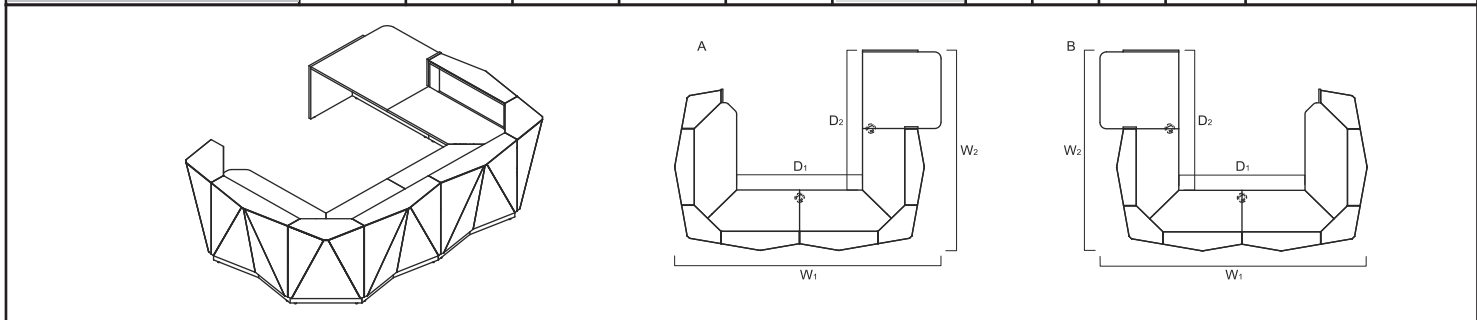
RECEPTION DESKS SYSTEMS



INDEX SYMBOL	DIMENSIONS [mm]						kg	m3	pcs	COMPONENTS
	W <sub>1</sub>	W <sub>2</sub>	D <sub>1</sub>	D <sub>2</sub>	H					
A <b>ALP17L</b>	3135	2514	2189	1568	1100		238.0	2.757	16	ALP19L+ALP12+ALP1P+NG41
B <b>ALP17P</b>	3135	2514	2189	1568	1100		238.0	2.757	16	ALP1L+ALP12+ALP19P+NG41



INDEX SYMBOL	DIMENSIONS [mm]						kg	m3	pcs	COMPONENTS
	W <sub>1</sub>	W <sub>2</sub>	D <sub>1</sub>	D <sub>2</sub>	H					
A <b>ALP26L</b>	4335	2767	3390	1568	1100		298.0	3.243	21	ALP3L+ALP11+ALP2P+ALP12+ALP19P+2xNG41
B <b>ALP26P</b>	4335	2767	3390	1568	1100		298.0	3.243	21	ALP19L+ALP12+ALP2L+ALP11+ALP3P+2xNG41






INDEX SYMBOL	DIMENSIONS [mm]						kg	m3	pcs	COMPONENTS
	W <sub>1</sub>	W <sub>2</sub>	D <sub>1</sub>	D <sub>2</sub>	H					
A <b>ALP27L</b>	3815	3135	1922	2189	1100		382.0	4.237	26	ALP3L+ALP11+ALP2P+ALP90+ALP19P+2xNG41
B <b>ALP27P</b>	3815	3135	1922	2189	1100		382.0	4.237	26	ALP19L+ALP90+ALP2L+ALP11+ALP3P+2xNG41

DESCRIPTION

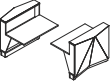
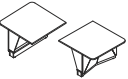
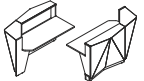
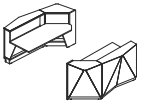
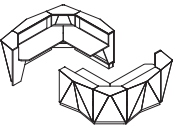
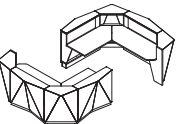
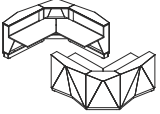
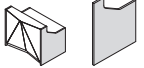
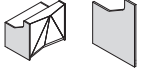


- NET WEIGHT

VOLUME

NUMBER OF PACKAGES

PRODUCT ILLUSTRATION	DIMENSIONS [mm]			INDEX SYMBOL						COMMENTS
	WIDTH	DEPTH	HEIGHT			kg	m3	pcs		




## COMPOSITION ELEMENTS

	1200	946	1100	ALP12		50.5	0.714	3		
	1200	1200	740	ALP11		57.5	0.490	3		
	1806	946	1100	ALP18L		90.0	1.013	6		
	1806	946	1100	ALP18P		90.0	1.013	6		
	2514	1907	1100	ALP19L		172.5	2.007	11		
	2514	1907	1100	ALP19P		172.5	2.007	11		
	1907	1907	1100	ALP90		133.5	1.703	6		
	846	28	1100	ALP1L		13.0	0.034	1		side panel for high units -left
	846	28	1100	ALP1P		13.0	0.034	1		side panel for high units - right
	200	28	368	ALP2L		1.5	0.004	1		left upper side panel for combining low and high element
	200	28	368	ALP2P		1.5	0.004	1		right upper side panel for combining low and high element

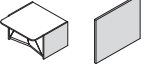


DESCRIPTION

 - NET WEIGHT VOLUME NUMBER OF PACKAGES




PRODUCT ILLUSTRATION	DIMENSIONS [mm]			INDEX SYMBOL						COMMENTS
	WIDTH	DEPTH	HEIGHT			kg	m3	pcs		

## COMPOSITION ELEMENTS

	846	28	730	ALP3L		12.0	0.024	1		left side panel for low unit
	846	28	730	ALP3P		12.0	0.024	1		right side panel for low unit
	40	40	712	NG41		2.0	0.002	1		square leg

DESCRIPTION

 - NET WEIGHT VOLUME NUMBER OF PACKAGES